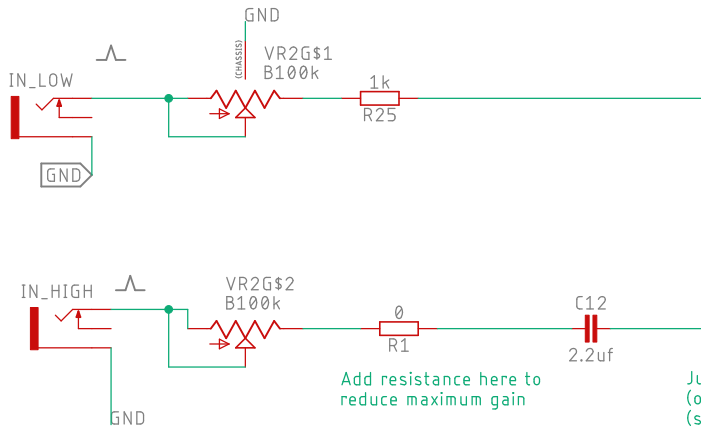


Modified VCS3 input circuit:
 High input: 2 x to 400x gain AC coupled
 Low input 1.5x to 4 x gain DC coupled
 (output is AC coupled, but this input can be used to add bias to circuit)

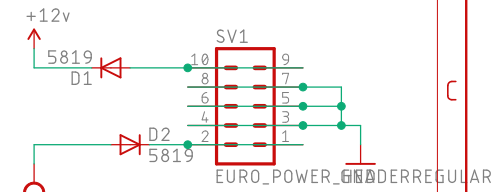
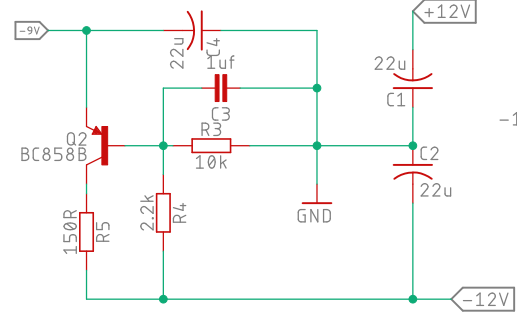
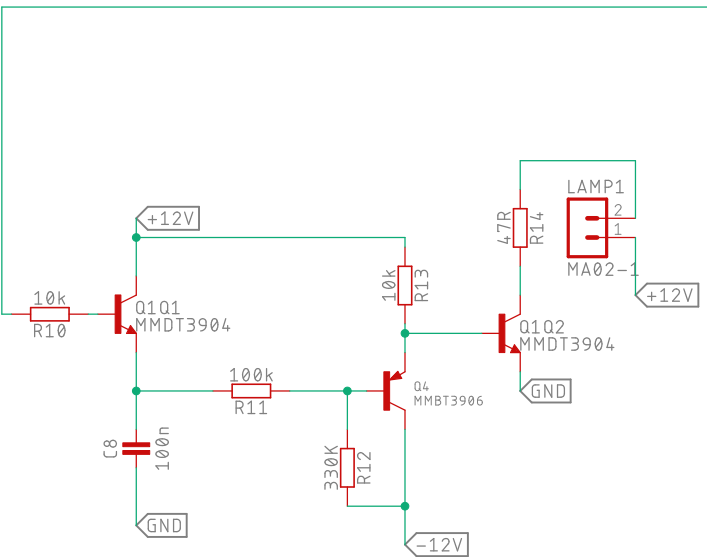
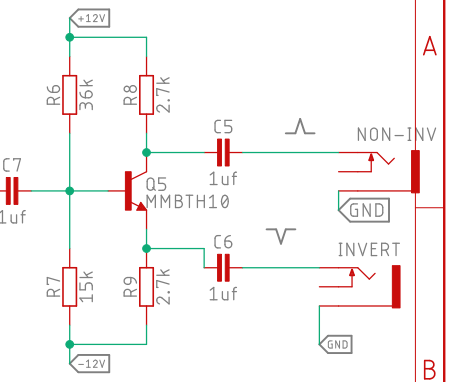


Add resistance here to reduce maximum gain

R28 = feedback = gain setting
 higher is more gain 100K default

Jumper to choose between (original) -9v supply and (sensible) -12v supply

Phase Splitter to create invert & non inverted outputs (main amplifier is inverting)



London Drive Proto 1
 Designed by Tom Whitwell
 In Herne Hill, London
 March 2022

london_drive
 14/11/2022 20:32
 Sheet: 1/1