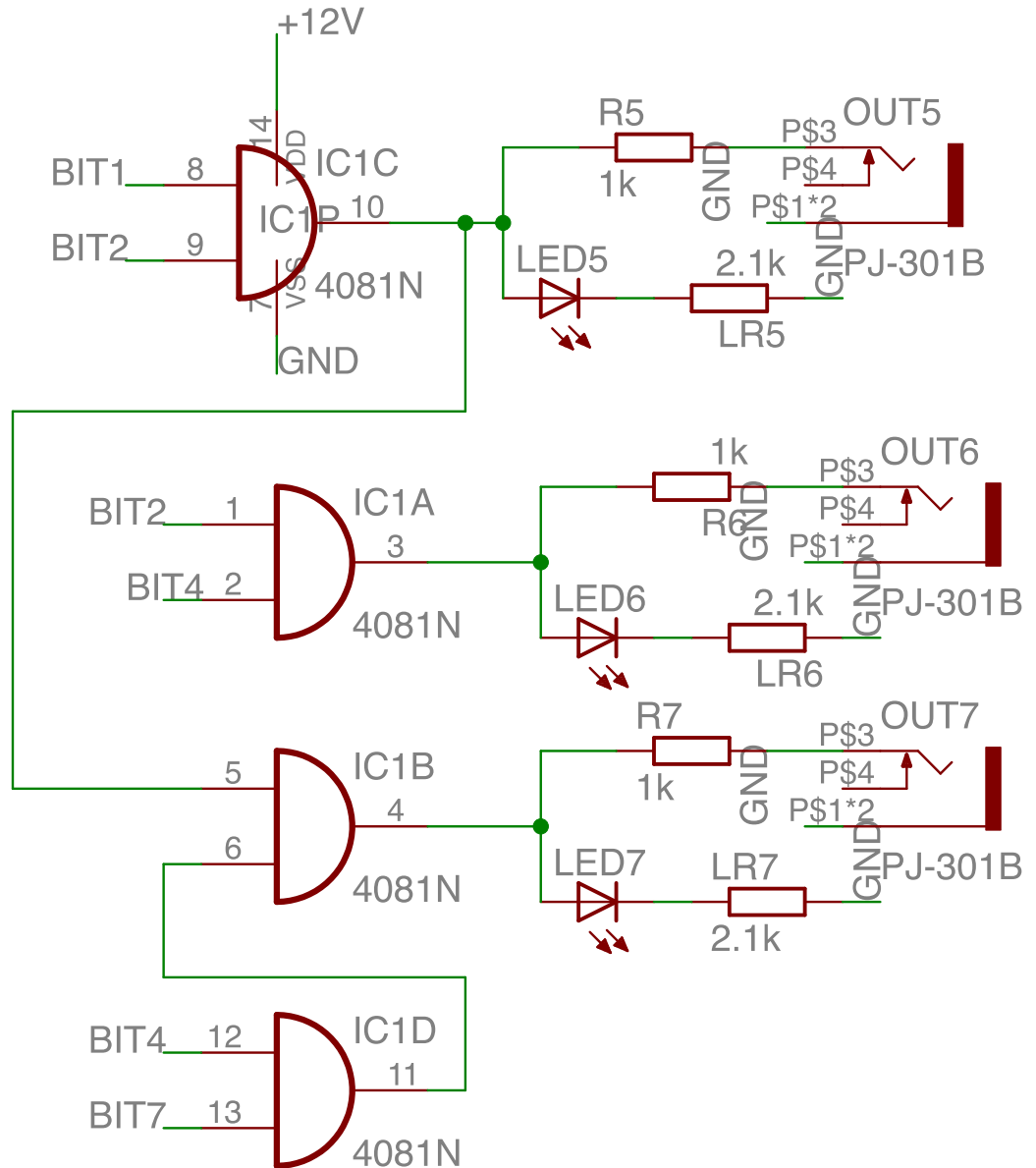
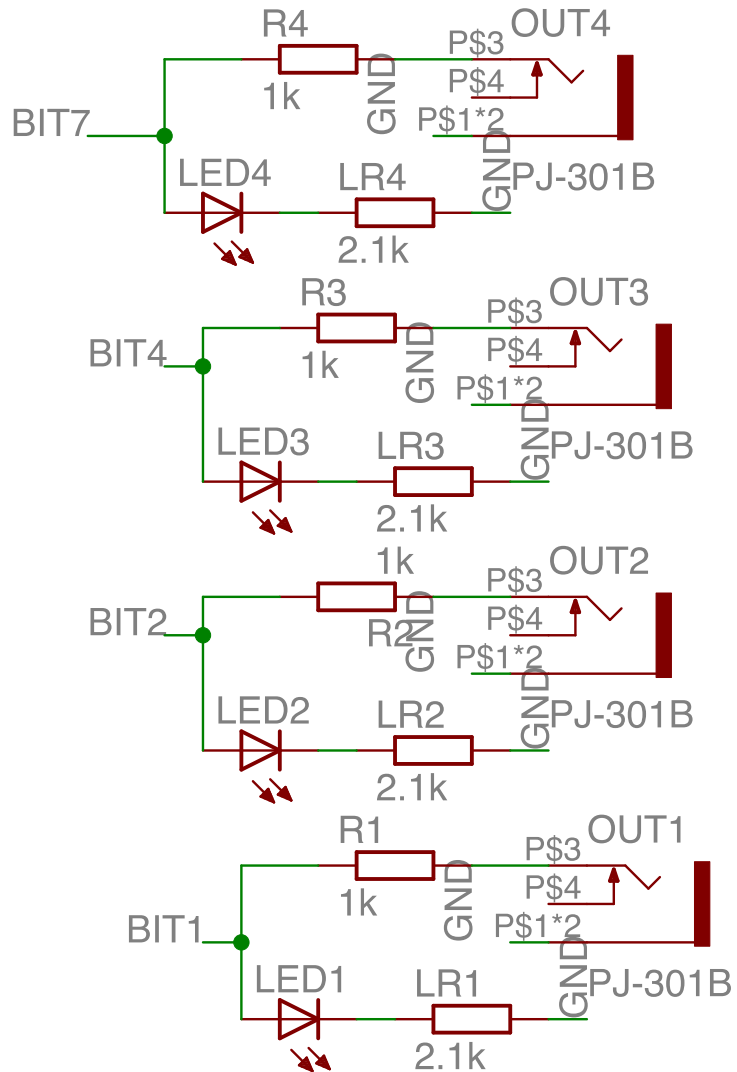
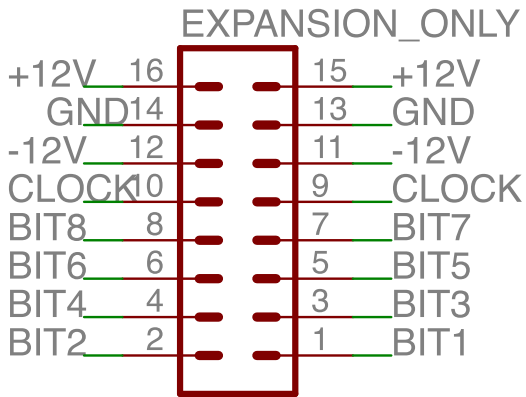
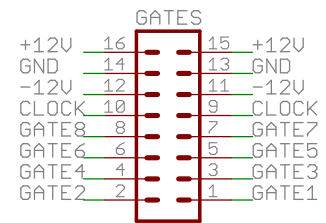
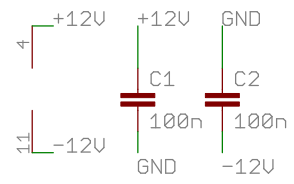
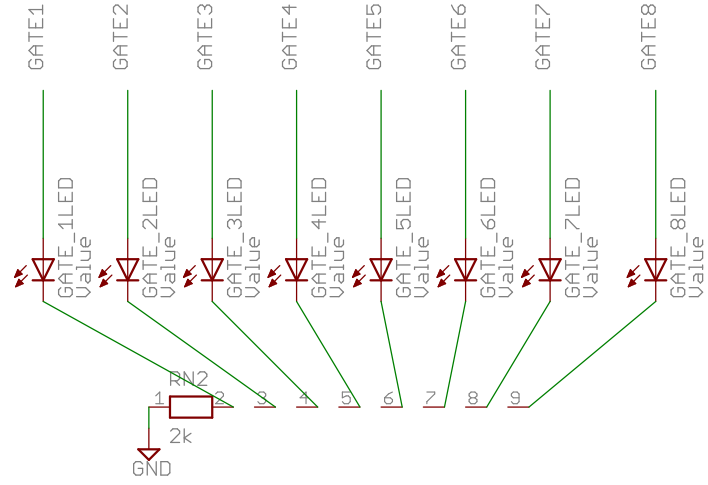
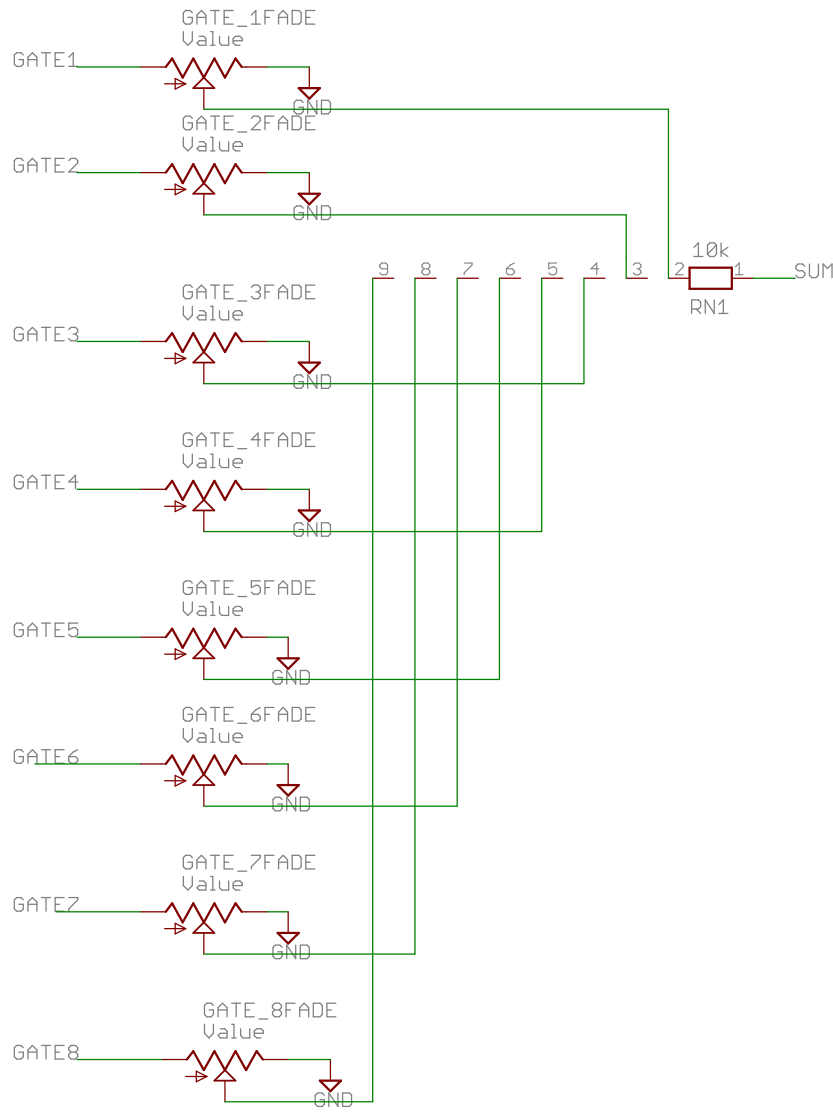


TITLE: backpackv03	
Document Number:	REV:
Date: 18/03/2013 22:49	Sheet: 1/1



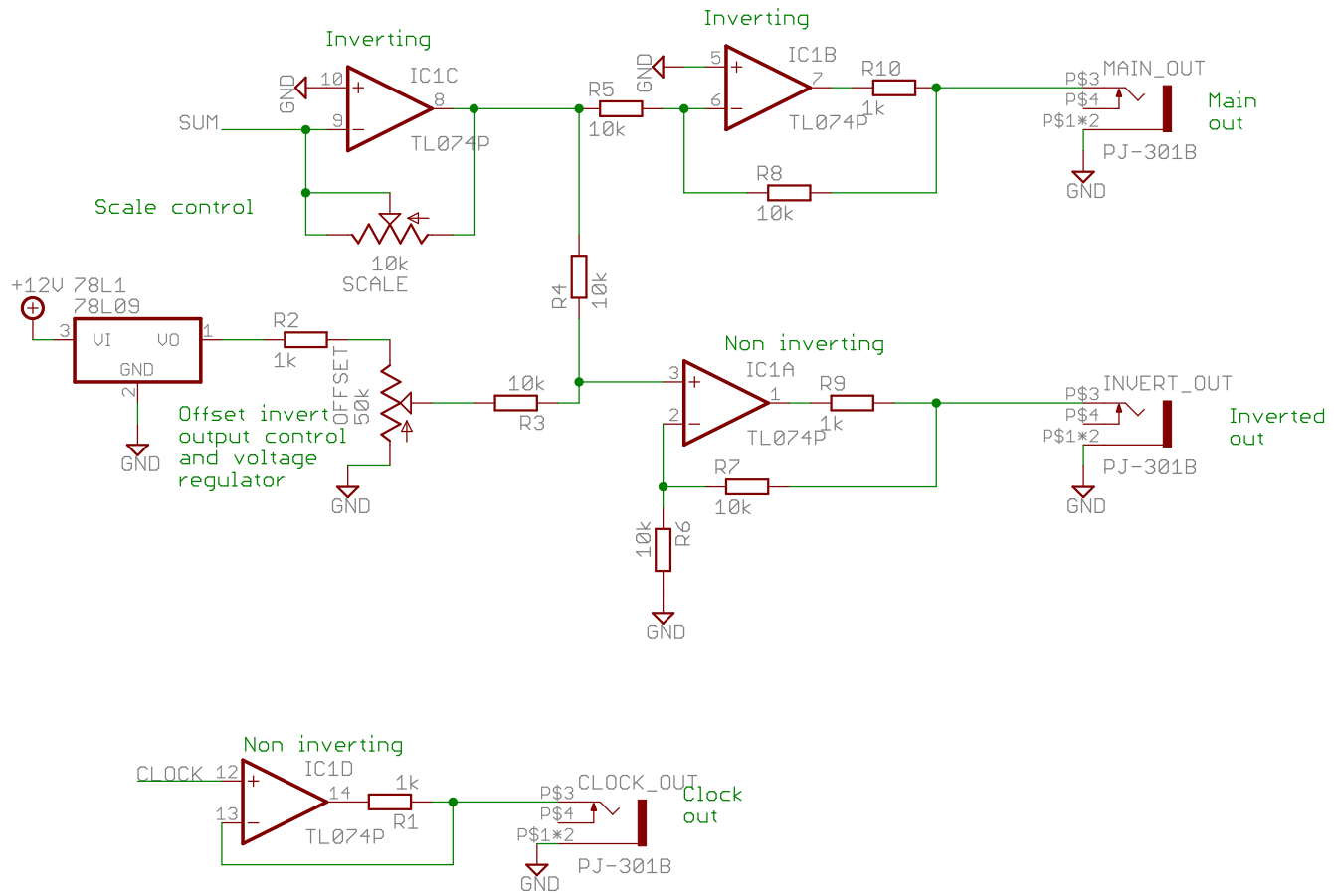


Faders, fader LEDs and power

rls_slide_expand_01

14/04/2013 19:05

Sheet: 1/2



Output circuitry		rls_slide_expand_01	
		14/04/2013 19:05	
		Sheet: 2/2	