

1

2

3

4

5

6

A

A

B

B

C

C

D

D

1

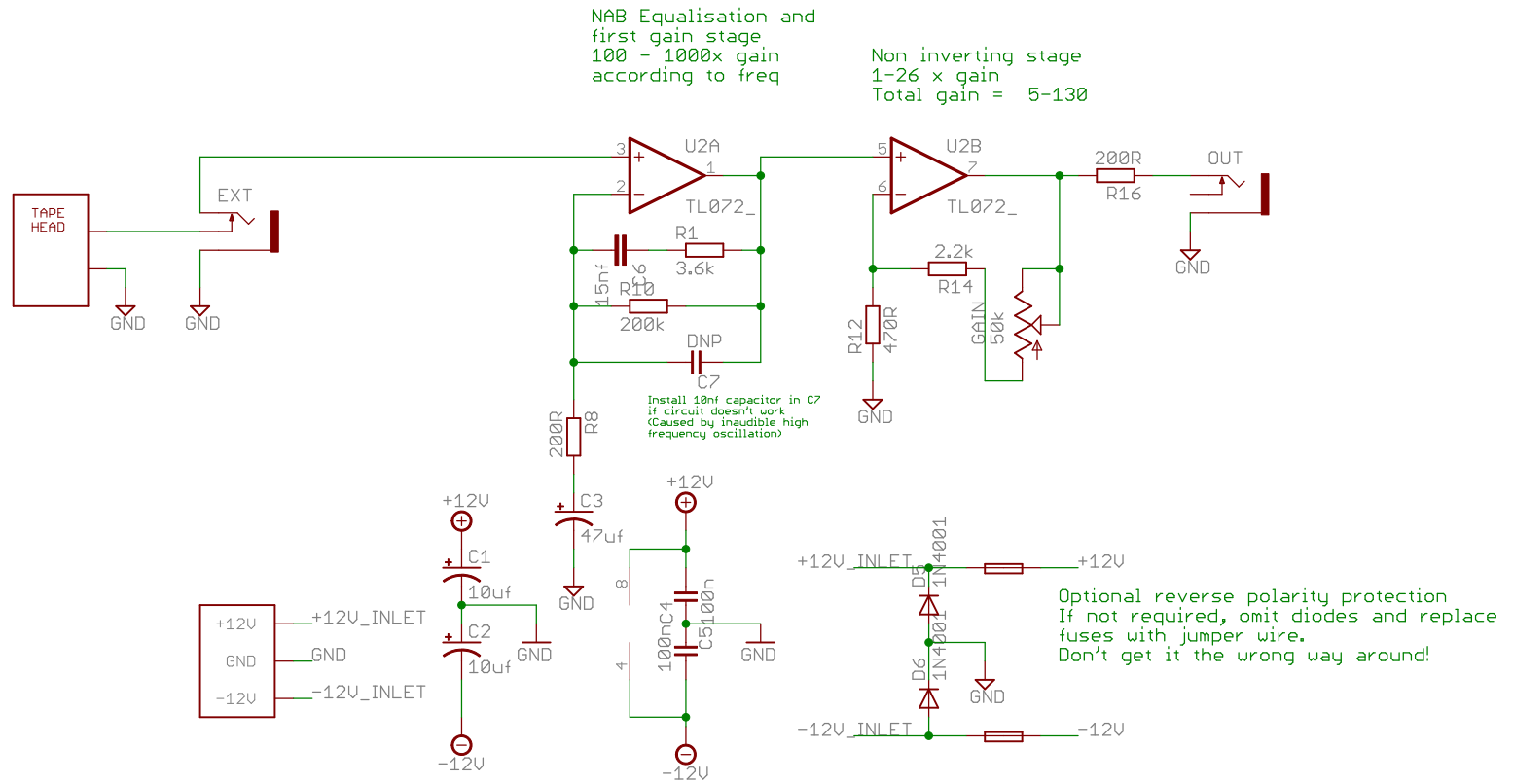
2

3

4

5

6



Magnetophon	
21/10/2017 17:07	
Sheet: 1/1	